

Adjustable SOLIDShelf

Bottle Cooler Cabinet. Unit comes with an Exclusive Servaclean Warranty - 3 year parts & labour.

Durable, 304 grade, satin finish stainless steel counter top - double skin construction.

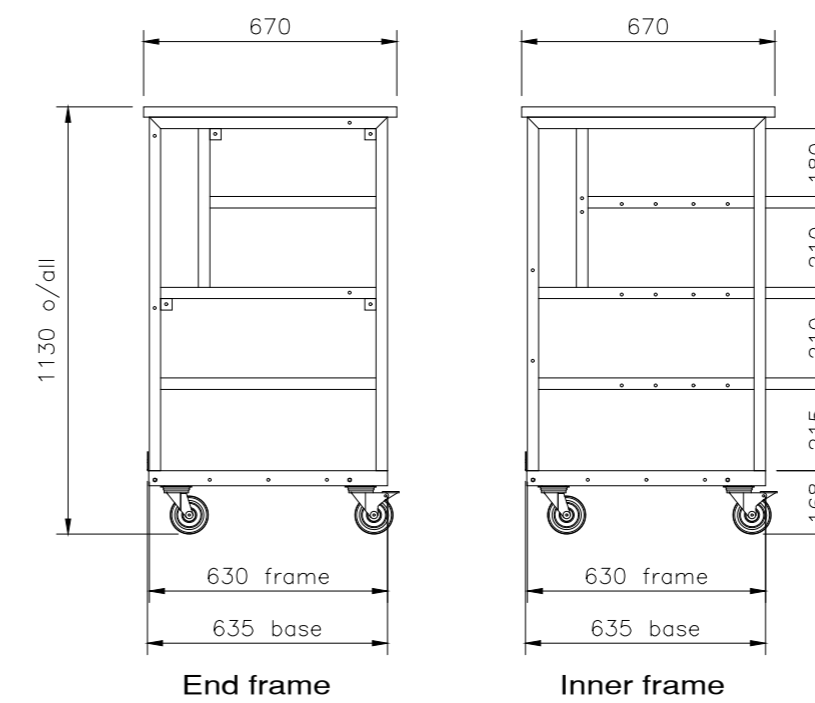
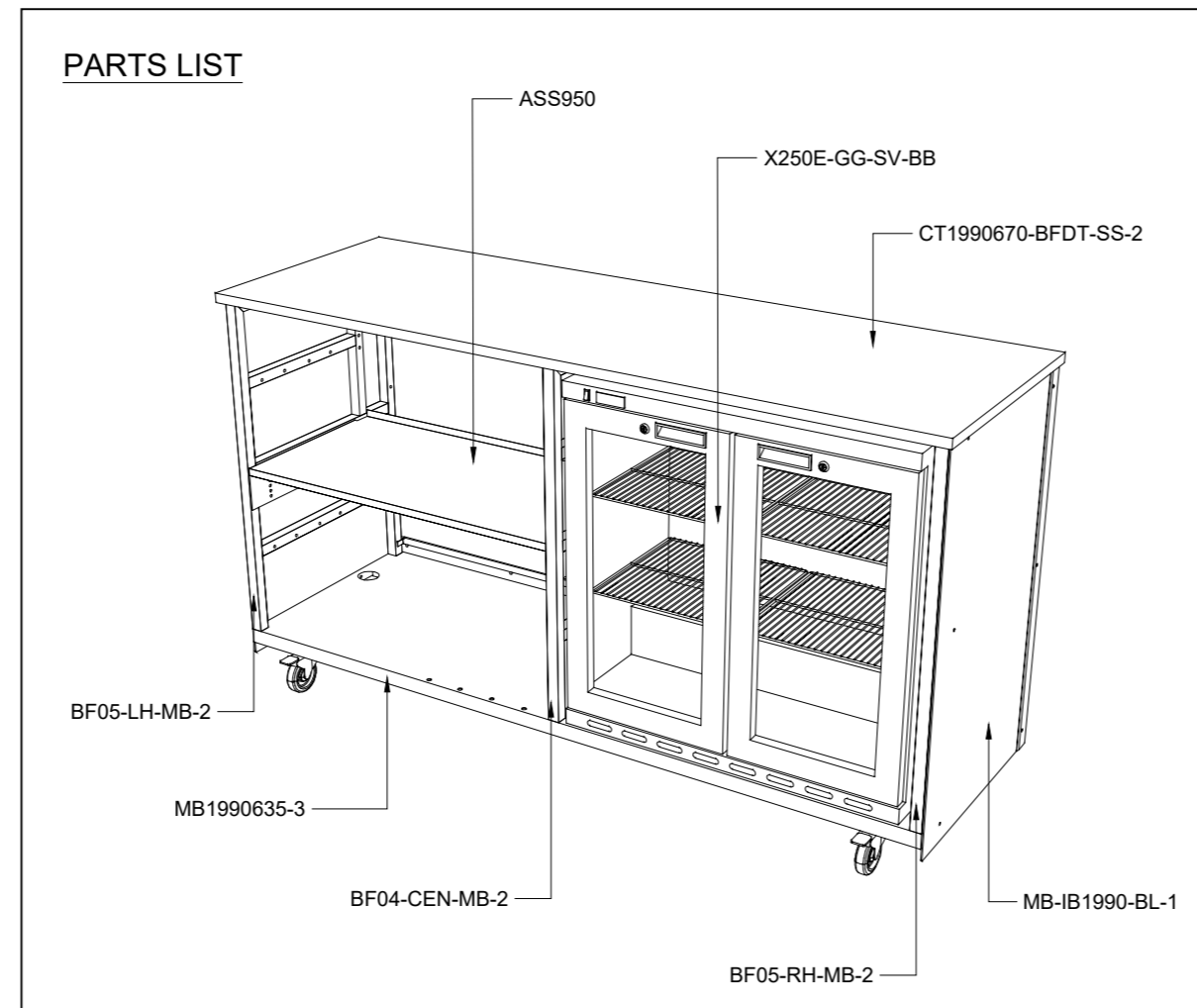
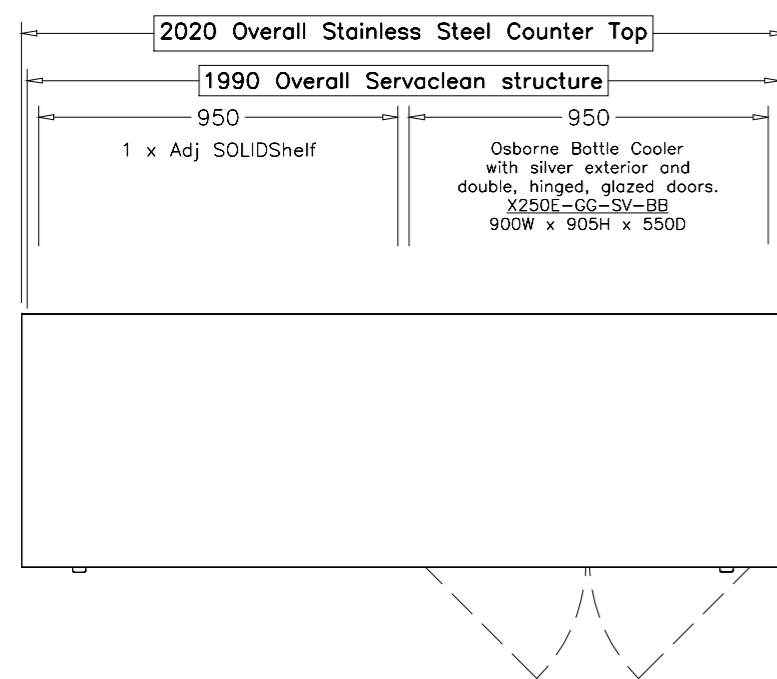
Storage space for mixers, snacks, and other supplies

'MOVERBar' - base and structure - Heavy gauge, food quality stainless steel chassis, fitted with heavy duty (125kg load per castor), four bolt fixing, swivel castors 100mm diameter with rubber tyres keyed to a ball journal hub. The castors at server's side are braked for stability whilst serving. Base has pre-drilled holes for bolt fixing of uprights in positions to suit standard fitment compartment sizes.

Protective Cover - A Water resistant, UV & fire retardant 600D coated woven polyester. Black, with tension adjustment straps.

PC1990-BL

Removable front and side panels - black gloss IriBond with stainless steel corner trims



MOVERBar

MB1990-B2 - Backfitting Display & Bottle Cooler

Part No.	Qty	Description
ASS950	1	Adjustable SOLIDShelf
BF04-CEN-MB-2	1	BARFrame-MOVERBar-Inner FULL D
BF05-LH-MB-2	1	BARFrame-MOVERBar-Left
BF05-RH-MB-2	1	BARFrame-MOVERBar-Right
CT1990670-BFDT-SS-2	1	Counter Top
MB1990635-3	1	Mobile Base Unit
MB-IB1990-BL-1	1	IriBond Cladding Set - Black

MOVERBar - Refrigeration Equipment

Part No.	Qty	Description
X250E-GG-SV-BB	1	Double Door Bottle Cooler

Protective Cover

Part No.	Qty	Description
PC1990-BL	1	Protective Cover

COPYRIGHT

THIS DRAWING IS THE PROPERTY OF SERVACLEAN LIMITED. COPYRIGHT IS RESERVED BY THEM AND THE DRAWING IS ISSUED ON CONDITION THAT ANY INFORMATION IT CONTAINS IS NOT COPIED, REPRODUCED, MULTIPLIED OR SUBMITTED TO THE INSPECTION OF ANY THIRD PARTIES, EITHER WHOLLY OR IN PART, WITHOUT THE WRITTEN CONSENT OF SERVACLEAN LIMITED.

Servaclean
Bar Systems
Simply build a better bar

Servaclean Ltd., Gower St, BRADFORD, BD5 7JF
01274 390038 | barplan@servaclean.co.uk | servaclean.co.uk

Project Title:
'MOVERBar' TEMPLATE 1990

Drawing Title:
BACKFITTING DISPLAY & BOTTLE COOLER

Rev	Date	Description	Ref
A		First Issue	

Drg No: **MB1990-B3** Date: **28-10-2025**

Scale: **1:20 @ A2** Project Mgr: Planner/CAD: **ACW**