

Divider and Lid allow ice to be served from one compartment whilst using lid as a platform for glasses when mixing drinks.

Insulated 'ICEchest' keeps ice "fresh" for hours. A waste outlet with tap allows melted ice and cleaning fluids to be collected and disposed of.

Hook-on 'LIQUORack' carries mixing liquors, cordials etc.

Stainless Steel Condiment Containers with wire support rail.

Adjustable SOLIDShelf

Durable, 304 grade, satin finish stainless steel counter top - double skin construction.

Jerry can to collect melted ice from the tapped outlet supplied with the ICEchest

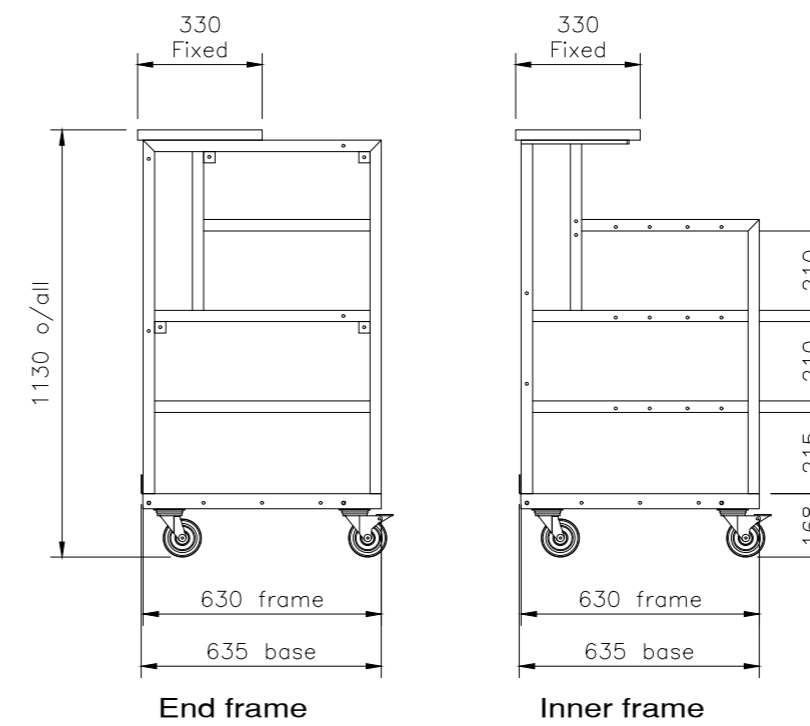
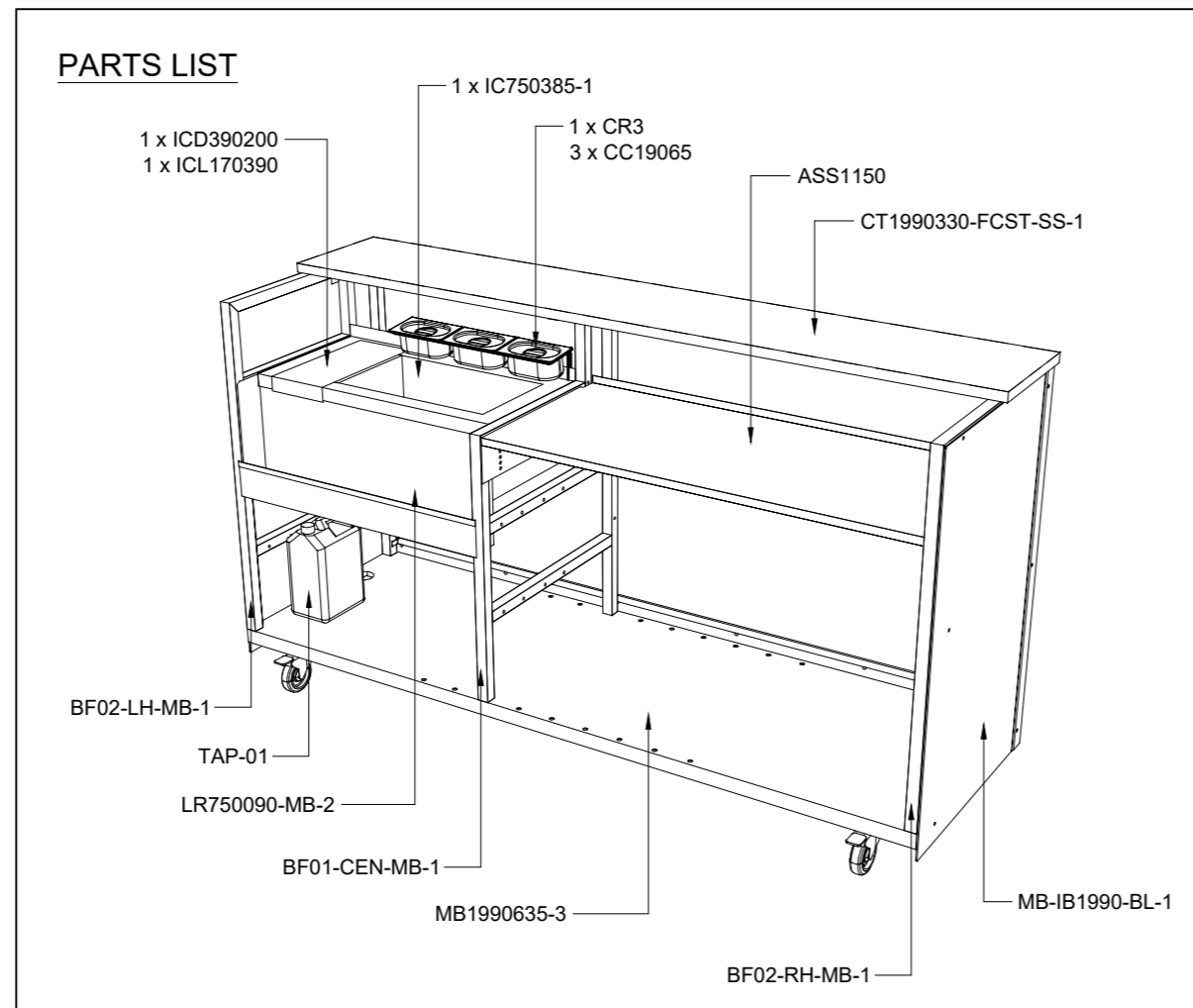
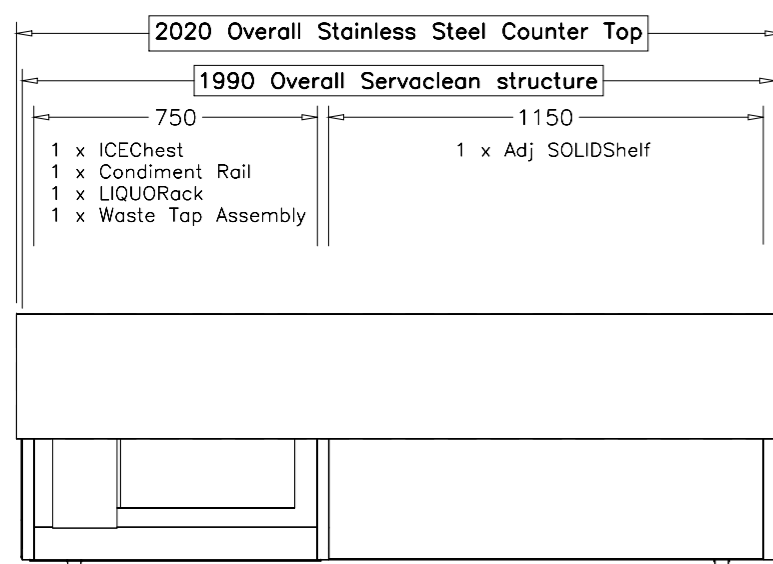
Storage space for mixers, snacks, and other supplies

'MOVERBar' - base and structure - Heavy gauge, food quality stainless steel chassis, fitted with heavy duty (125kg load per castor), four bolt fixing, swivel castors 100mm diameter with rubber tyres keyed to a ball journal hub. The castors at server's side are braked for stability whilst serving. Base has pre-drilled holes for bolt fixing of uprights in positions to suit standard fitment compartment sizes.

Protective Cover - A Water resistant, UV & fire retardant 600D coated woven polyester. Black, with tension adjustment straps.

PC1990-BL

Removable front and side panels - black gloss IriBond with stainless steel corner trims



**MOVERBar**

**MB1990-C3 - Cocktail & Dispense Bar**

Part No.	Qty	Description
ASS1150	1	Adjustable SOLIDShelf
ICD390200	1	Condiment Container & Lid
CR3-1	3	Condiment Rail
IC750385-1	1	LIQUORack
ICD390200	1	ICEchest
ICL170390	1	ICEchest Compartment Divider
LR750090-MB-2	1	ICEchest Compartment Lid
TAP-01	1	Waste Tap Assembly
BF01-CEN-MB-1	1	BARFrame-MOVERBar-Inner
BF02-LH-MB-1	1	BARFrame-MOVERBar-Left
BF02-RH-MB-1	1	BARFrame-MOVERBar-Right
CT1990330-FCST-SS-1	1	Counter Top
MB1990635-3	1	Mobile Base Unit
MB-IB1990-BL-1	1	IriBond Cladding Set - Black

**Protective Cover**

Part No.	Qty	Description
PC1990-BL	1	Protective Cover

**COPYRIGHT**

THIS DRAWING IS THE PROPERTY OF SERVACLEAN LIMITED. COPYRIGHT IS RESERVED BY THEM AND THE DRAWING IS ISSUED ON CONDITION THAT ANY INFORMATION IT CONTAINS IS NOT COPIED, REPRODUCED, MULTIPLIED OR SUBMITTED TO THE INSPECTION OF ANY THIRD PARTIES, EITHER WHOLLY OR IN PART, WITHOUT THE WRITTEN CONSENT OF SERVACLEAN LIMITED.



Servaclean Ltd., Gower St, BRADFORD, BD5 7JF  
01274 390038 | barplan@servaclean.co.uk | servaclean.co.uk

Project Title:  
**'MOVERBar' TEMPLATE 1990**

Drawing Title:  
**COCKTAIL & DISPENSE BAR**

Drig No: **MB1990-C3** Date: **23-10-2025**  
Scale: **1:20 @ A2** Project Mgr: Planner/CAD: **ACW**

Rev	Date	Description	Ref
A		First Issue	