

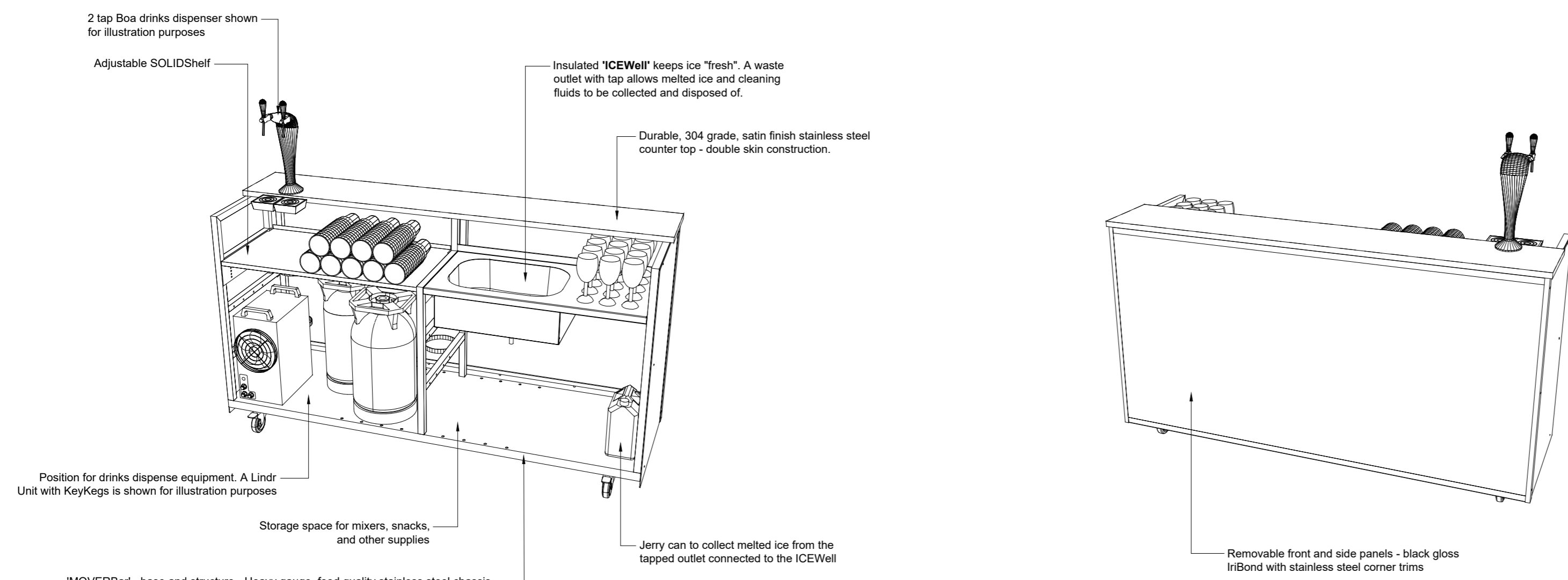
**MOVERBar**

**MB1990-M6 - Drinks Mixing & Dispense Bar**

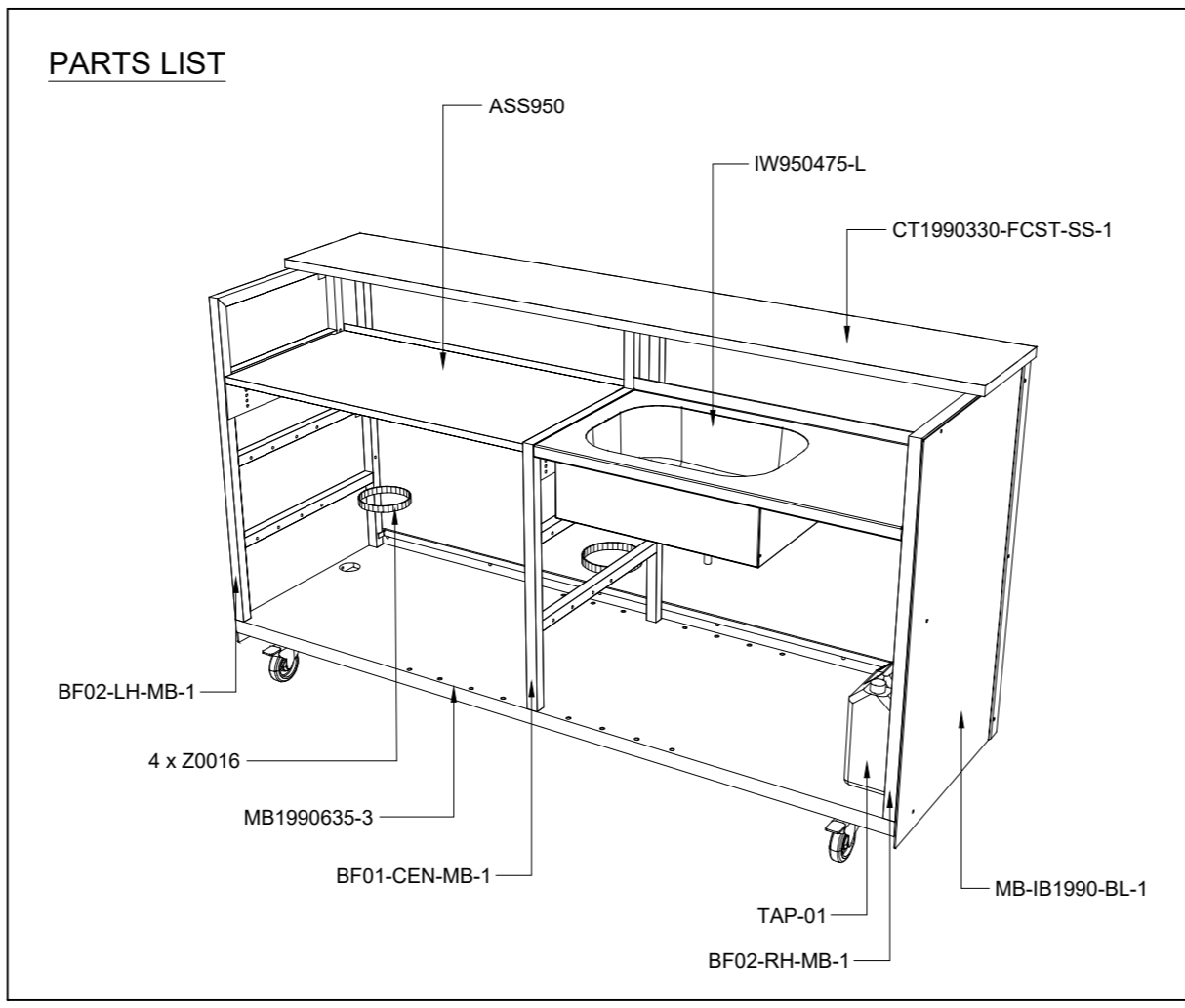
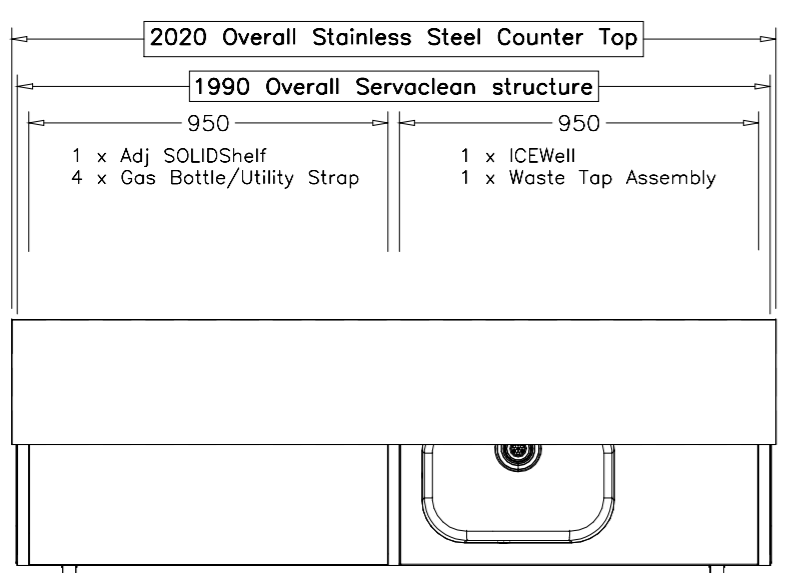
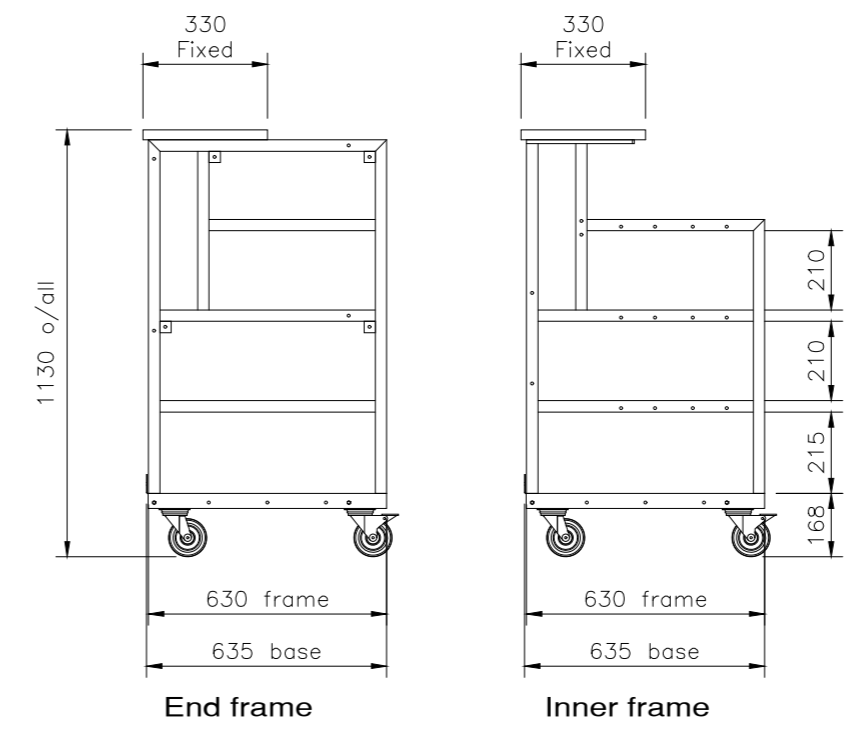
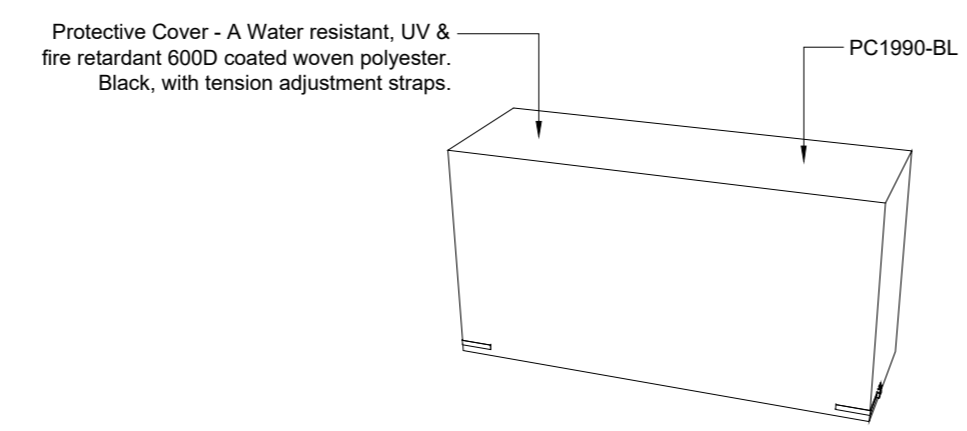
Part No.	Qty	Description
ASS950	1	Adjustable SOLIDShelf
IW950475-L	1	ICEWell
TAP-01	1	Waste Tap Assembly
Z0016	4	Gas Bottle/Utility Strap
BF01-CEN-MB-1	1	BARFrame-MOVERBar-Inner
BF02-LH-MB-1	1	BARFrame-MOVERBar-Left
BF02-RH-MB-1	1	BARFrame-MOVERBar-Right
CT1990330-FCST-SS-1	1	Counter Top
MB1990635-3	1	Mobile Base Unit
MB-IB1990-BL-1	1	IriBond Cladding Set - Black

**Protective Cover**

Part No.	Qty	Description
PC1990-BL	1	Protective Cover



'MOVERBar' - base and structure - Heavy gauge, food quality stainless steel chassis, fitted with heavy duty (125kg load per castor), four bolt fixing, swivel castors 100mm diameter with rubber tyres keyed to a ball journal hub. The castors at server's side are braked for stability whilst serving. Base has pre-drilled holes for bolt fixing of uprights in positions to suit standard fitment compartment sizes.



**COPYRIGHT**

THIS DRAWING IS THE PROPERTY OF SERVACLEAN LIMITED. COPYRIGHT IS RESERVED BY THEM AND THE DRAWING IS ISSUED ON CONDITION THAT ANY INFORMATION IT CONTAINS IS NOT COPIED, REPRODUCED, MULTIPLIED OR SUBMITTED TO THE INSPECTION OF ANY THIRD PARTIES, EITHER WHOLLY OR IN PART, WITHOUT THE WRITTEN CONSENT OF SERVACLEAN LIMITED.

**Servaclean**  
Bar Systems

Simply build a better bar

Servaclean Ltd., Gower St, BRADFORD, BD5 7JF  
01274 390038 | barplan@servaclean.co.uk | servaclean.co.uk

Project Title:  
**'MOVERBar' TEMPLATE 1990**

Drawing Title:  
**DRINKS MIXING & DISPENSE BAR**

Rev	Date	Description	Ref
A		First Issue	

Drig No: MB1990-M6 Date: 30-10-2025

Scale: 1:20 @ A2 Project Mgr: Planner/CAD: ACW