

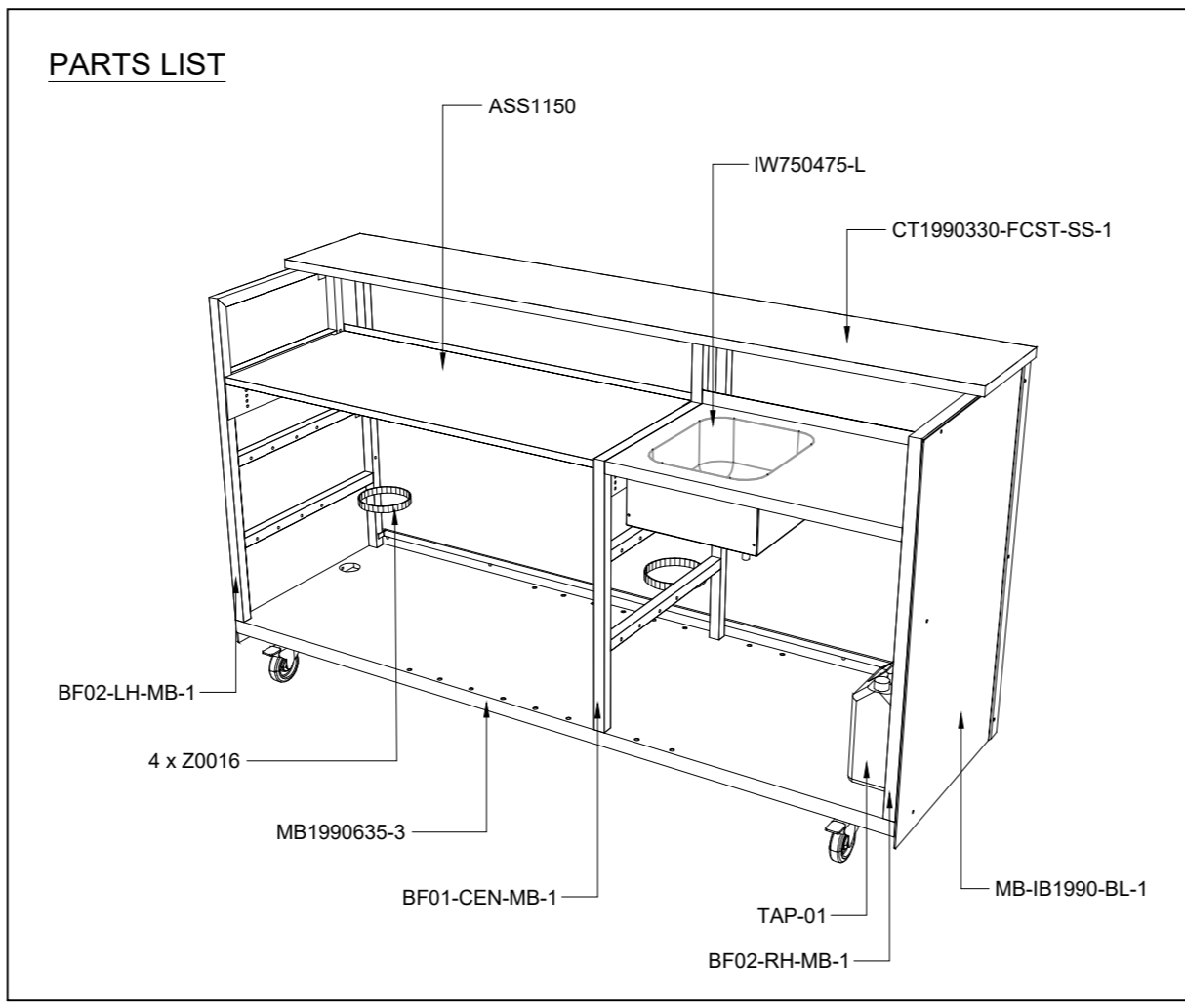
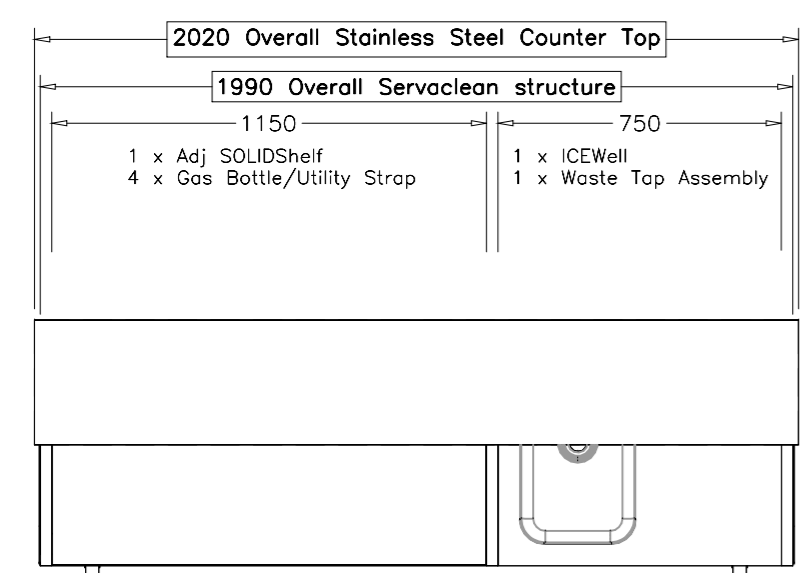
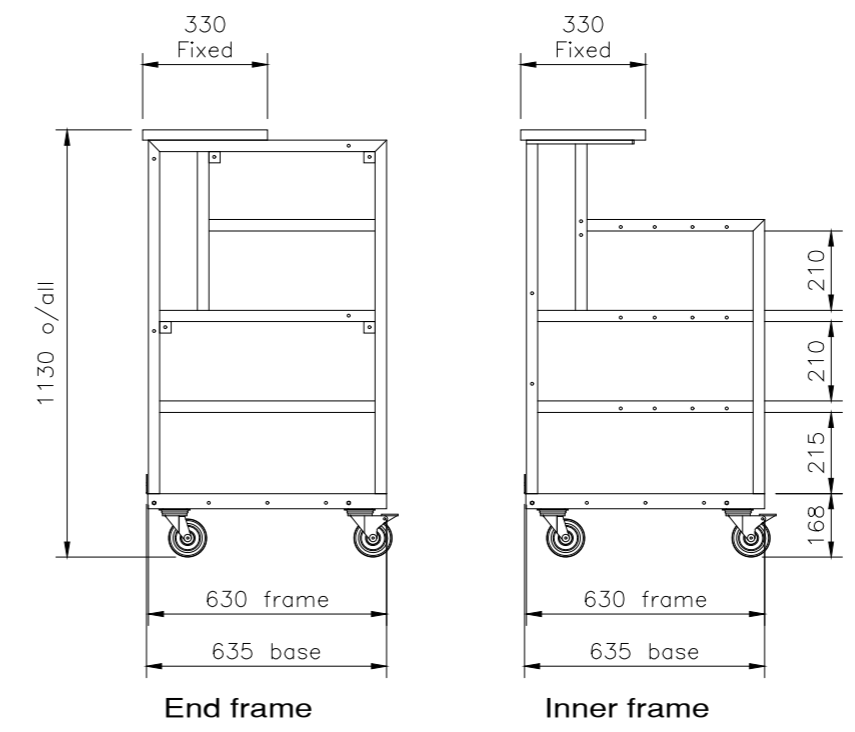
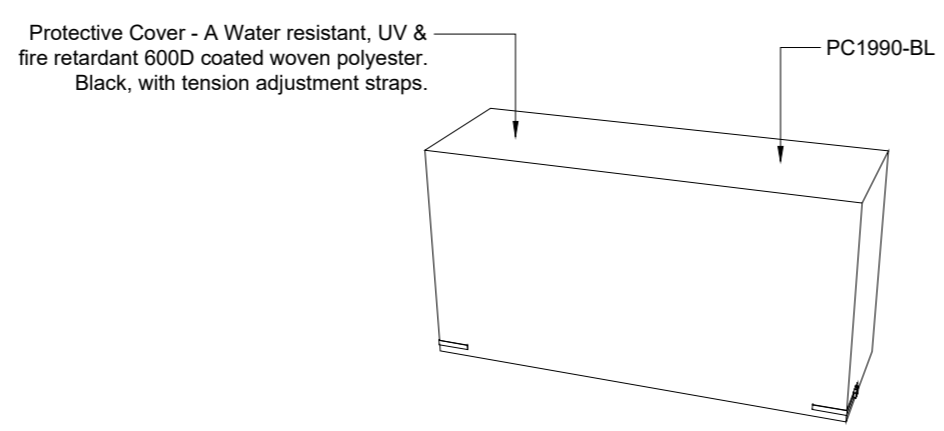
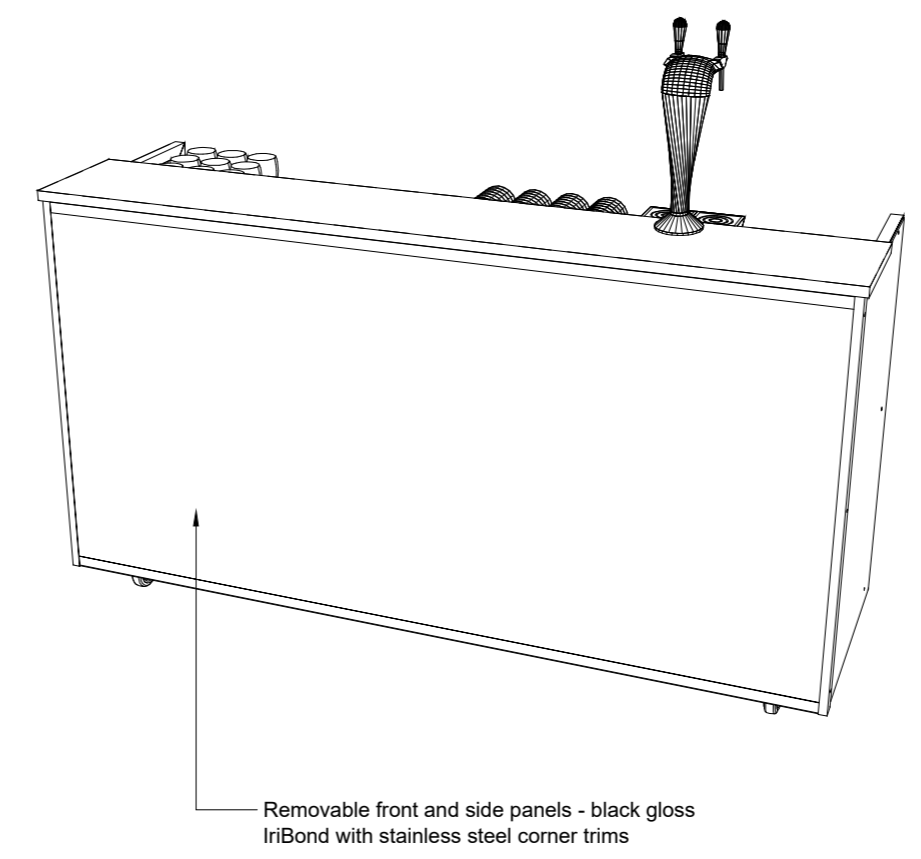
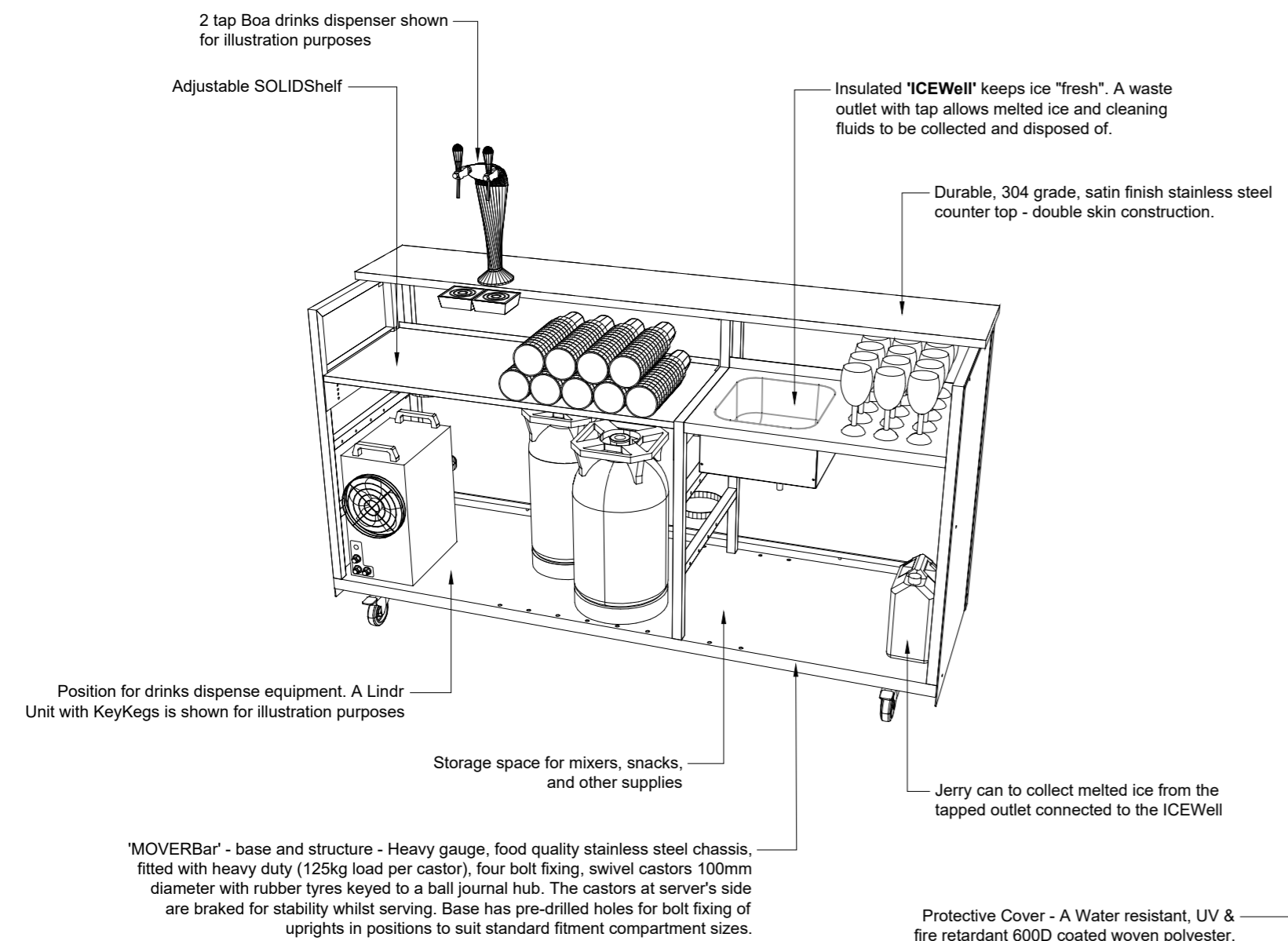
MOVERBar

MB1990-M8 - Drinks Mixing & Dispense Bar

Part No.	Qty	Description
ASS1150	1	Adjustable SOLIDShelf
IW750475-L	1	ICEWell
TAP-01	1	Waste Tap Assembly
Z0016	4	Gas Bottle/Utility Strap
BF01-CEN-MB-1	1	BARFrame-MOVERBar-Inner
BF02-LH-MB-1	1	BARFrame-MOVERBar-Left
BF02-RH-MB-1	1	BARFrame-MOVERBar-Right
CT1990330-FCST-SS-1	1	Counter Top
MB1990635-3	1	Mobile Base Unit
MB-IB1990-BL-1	1	IriBond Cladding Set - Black

Protective Cover

Part No.	Qty	Description
PC1990-BL	1	Protective Cover



Rev	Date	Description	Ref
A		First Issue	

COPYRIGHT

THIS DRAWING IS THE PROPERTY OF SERVACLEAN LIMITED. COPYRIGHT IS RESERVED BY THEM AND THE DRAWING IS ISSUED ON CONDITION THAT ANY INFORMATION IT CONTAINS IS NOT COPIED, REPRODUCED, MULTIPLIED OR SUBMITTED TO THE INSPECTION OF ANY THIRD PARTIES, EITHER WHOLLY OR IN PART, WITHOUT THE WRITTEN CONSENT OF SERVACLEAN LIMITED.

Servaclean
Bar Systems

Simply build a better bar

Servaclean Ltd., Gower St, BRADFORD, BD5 7JF
01274 390038 | barplan@servaclean.co.uk | servaclean.co.uk

Project Title:
'MOVERBar' TEMPLATE 1990

Drawing Title:
DRINKS MIXING & DISPENSE BAR

Drig No: MB1990-M8 Date: 30-10-2025

Scale: 1:20 @ A2 Project Mgr: Planner/CAD: ACW